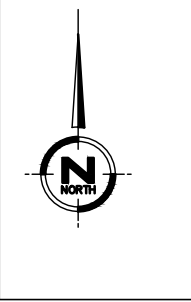




Copyright
 The Copyright of this drawing is the property of the Architects, and may not be reproduced without their written permission.

Important Note:
 Figured Dimensions where shown should be used in all circumstances. Where no dimensions exist or if any discrepancies are found report to Architects.
 DO NOT scale from electronic or hard copy drawings.
 Electronic files must be checked against hardcopy of the drawing.
 The Contractor must check all dimensions & levels on site and any discrepancies found, reported to the Architects.
 The information shown on the drawing should be referred to for architectural design only. Civil, Structural, Building Services and other specialist information shown on this drawing is notional and for indicative purposes only. Refer to specialist consultant drawings.



Digimap Ref: 29
 Status
 Planning

Revisions

No.	Description

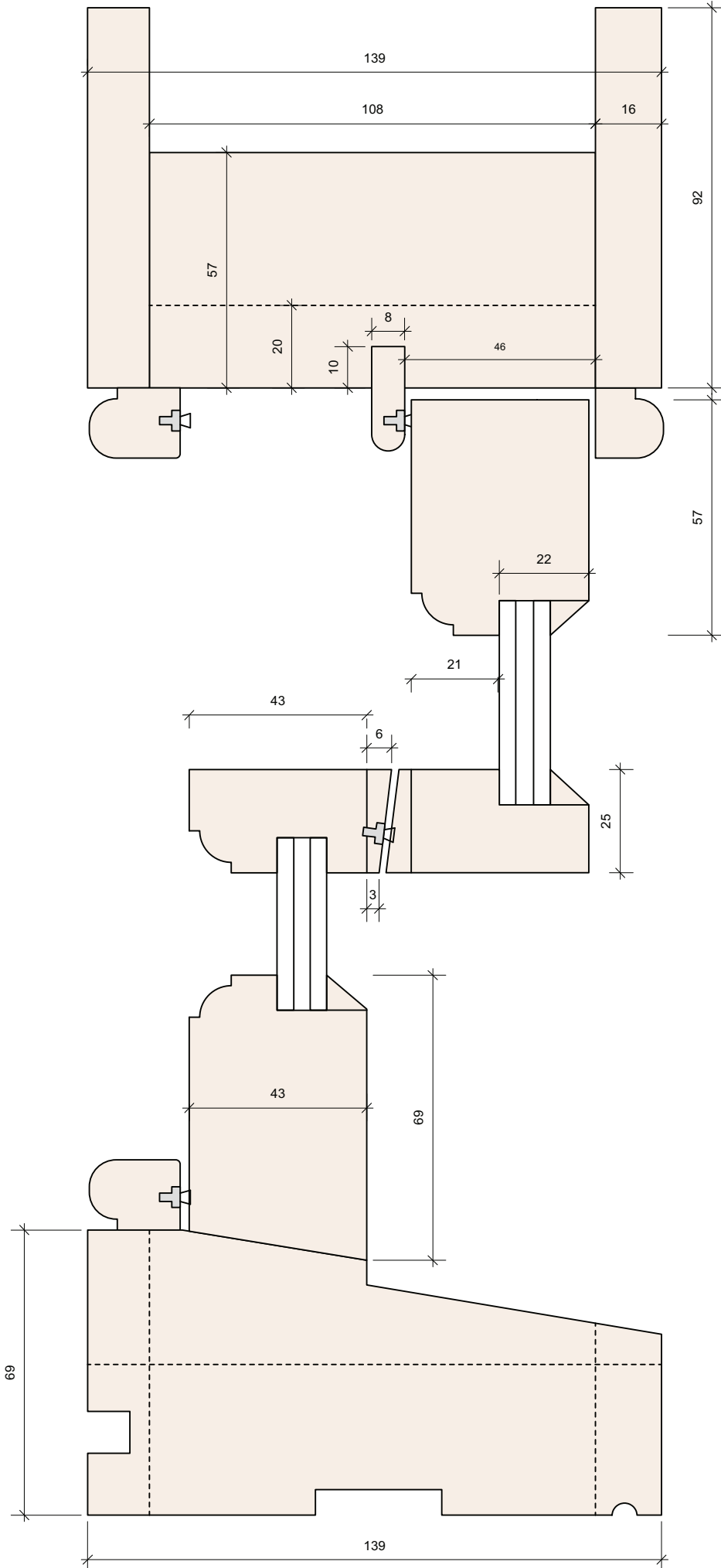


project
 Proposed alterations to No 3
 Rozel Terrace,
 Mount Durand,
 St Peter Port, Guernsey.
 For Mr D Ang

title
 Site Location Plan.
 scale 1 : 1250 @ A3 size
 date 28-07-21 drawn AS

drawing number AA55-10528-S1-01
 revision

HERITAGE GUILLOTINE BOX SASH WINDOW

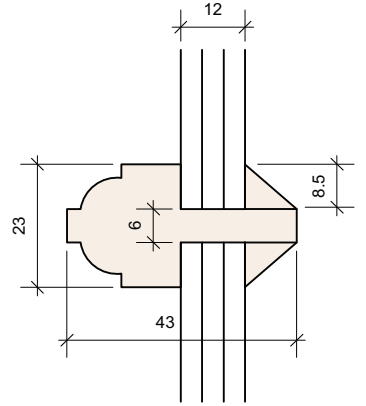


12MM SLIMLINE DOUBLE GLAZING INDICATED. SINGLE GLAZING OPTIONS ALSO POSSIBLE IF REQUIRED BY PLANNING

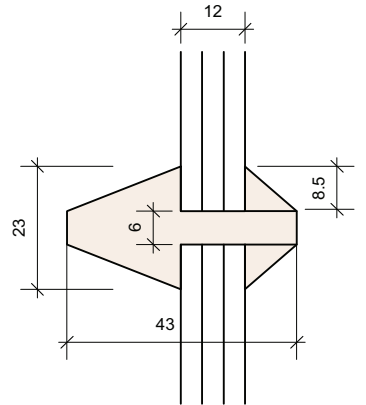
43MM THICK SASH'S

23MM BARS

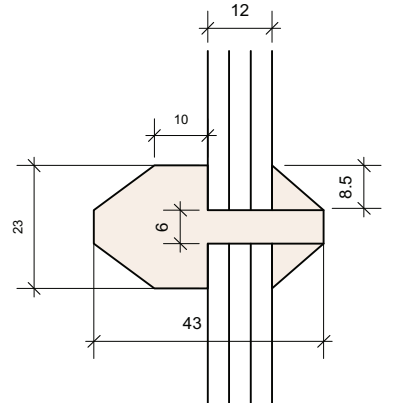
GLAZING BAR OPTION 1



GLAZING BAR OPTION 2



GLAZING BAR OPTION 3



TIMBER SASH WINDOW DETAIL
SCALE: 1:1@ A3
10528_SK 01